



New compact fiber laser: For polymers and metals.

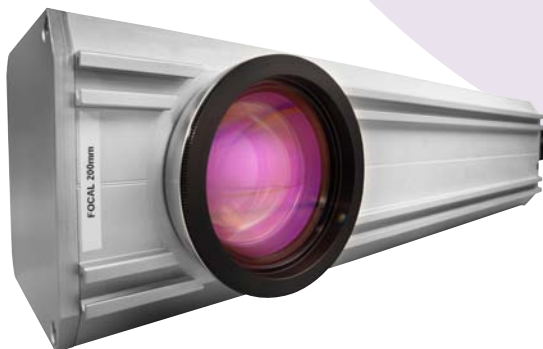
The SmartLase F200, compliments our SmartLase C Series CO₂ range, is designed to be a high quality code solution for polymers and bare metals. The F200 provides permanent high quality, high contrast codes on a variety of rigid plastics (PE/PP), bare metals and other substrates commonly used in the food and cosmetics as well as other industries. The permanence of these codes ensures long-term traceability of your product.

Versatility and flexibility

- Easy head integration due to the print head compactness: 460mm.
- Large choice of lenses to meet specific application needs (message content, speed and substrate).
- Operate as stand-alone or on-line.

Printing performance

- High contrast permanent coding onto metals, plastic to ensure long-term traceability.
- Print speed capability up to 120m/min*.
- Capable of generating complex messages including 1D or 2D barcode: four fonts available.



Unmatched reliability

- Superior laser source lifetime = 100,000 hours.
- Operates in environments, up to 35° C (97° F).
- No plant air or water is required for cooling.

Operation optimization

- Intuitive hand held touch screen user interface for quick editing and changeovers.
- Pointing diode facilitates accurate code placement on the substrate.
- Centralized message control with optional PC software tool.



markem·imaje

A DOVER COMPANY

*Depends upon code complexity and substrates

SmartLase F200 specifications ■ ■ ■

Print features ■ ■ ■

- Production line speed (max): up to 120 m/min*
- Marking speed (max): up to 1000 characters/s*
- Coding on stationary or moving products
- Number of text lines: limited only by character height and allowable print area. Limited to 4 lines if tactile user interface terminal is used
- Character height: from 1 mm to allowable print area
- Logos, graphics, one & two dimensional barcodes
- Choice of 4 laser fonts
- True Type fonts
- Coding area and focal distance of the lens (mm, standard): 100x100 / fd 162
- Pointing diode (635nm)

*Depends on the size and complexity of the message as well as the nature of the surface marked

Operations ■ ■ ■

- Color touch screen
- QWERTY or AZERTY keyboard
- Navigation via icons
- Message storage capacity of 512M for resident jobs
- RS-232/422 connectivity, Ethernet (TCP/IP) interface

Accessories ■ ■ ■

- Dust and gas extractor
- Laser stand (controller, printhead and user interface)
- Guarding
- Photocell
- Encoder
- Alarm beacon

Options ■ ■ ■

- Coding area and focal distance (mm):
 - Lens 55 x 55 / fd 100
 - Lens 160 x 160 / fd 254
 - Lens 242 x 242 / fd 346
 - Lens 560 x 560 / fd 889
- Tactile user interface

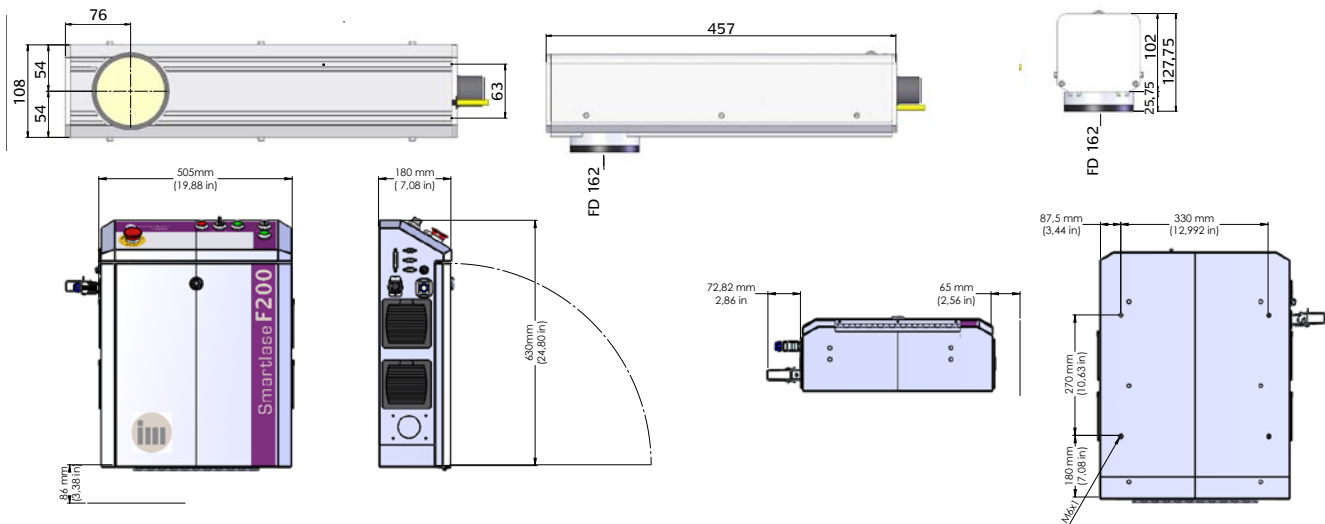
Other characteristics ■ ■ ■

- Wavelength: 1,06 μm
- Head weight: 5 kg
- Controller weight: 21 kg
- Interconnecting cable length: 3 m
- Controller: Stainless steel
- Head: Stainless steel and anodized aluminum
- Dust/humidity protection: IP44
- No plant air required for cooling
- Operating temperature range: 15 to 35°C (59–97°F)
- Humidity: 10 to 95% non-condensing
- Electrical power supply: 125-230 V with automatic switching; frequency 50/60 Hz
- Power consumption: 3 A; 350 VA

PC software ■ ■ ■

- Not compatible with CoLOS Create Professional and CoLOS Enterprise
- Specific software available for networking requirements and message editing for remote mode

SmartLase F200 printhead and controller



We reserve the right to amend the design and/or specifications of our products without notice.



M Pack Limited
 F4 South City Business Park
 Tallaght
 Dublin 24
 Tel: +353 | 2890077
 Email: sales@mpack.ie
 www.mpack.ie

